

# PFA Lined Ball Check Valve

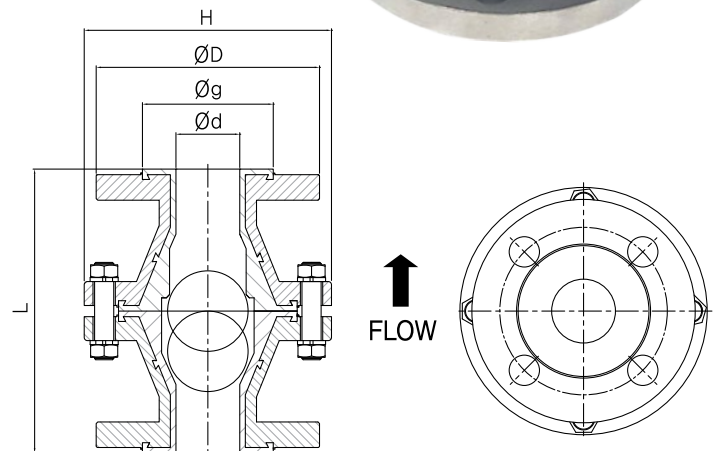


## MATERIALS OF CONSTRUCTION

No.	Description	Materials	
		Stainless steel	Carbon steel
1	Body	SCS13A PFA Lined	A216 WCB PFA Lined
2	Ball	PTEE	
3	Bolt & Nut	SUS 304	

## TECHNICAL DATA

Size(mm) (inch)	20A, 25A, 40A, 50A, 65A, 80A, 100A, 150A 3/4, 1, 1 1/2, 2, 2 1/2, 3, 4, 6
Temperature	-30°C ~ 120°C
Flange	JIS10K / ANSI150lbs, DIN PN16
Ball	solid PTFE



## DIMENSION TABLE

DN SIZE			L(mm)	D(mm)		Ød(mm)	Øg(mm)		H(mm)	Cv
JIS10K	ANSI150#	DINPN16		JIS10K	ANSI150#		JIS10K	ANSI150#		
15A	0.5"	DN15	152	95	89	14	43	41	120	8
20A	3/4"	DN20	152	100	98.5	20	55	49	120	11
25A	1"	DN25	152	125	108	25	65	51	130	14
40A	1 1/2"	DN40	178	140	127	40	79	70	155	42
50A	2"	DN50	203	155	152.5	50	95	95	180	110
65A	2 1/2"	DN65	228	175	178	65	115	115	203	205
80A	3"	DN80	241	185	190.5	80	125	125	225	260
100A	4"	DN100	292	210	228	100	147	147	293	515